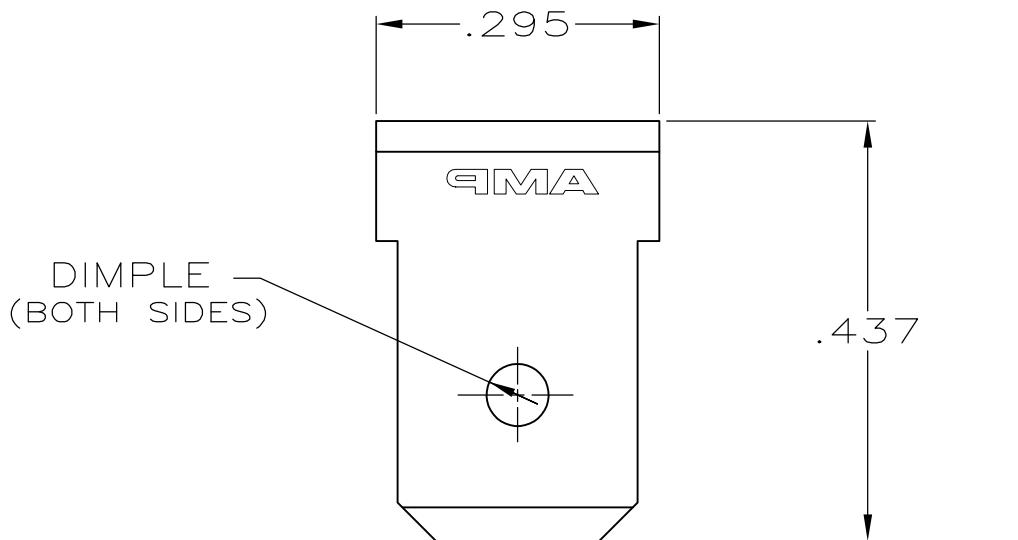
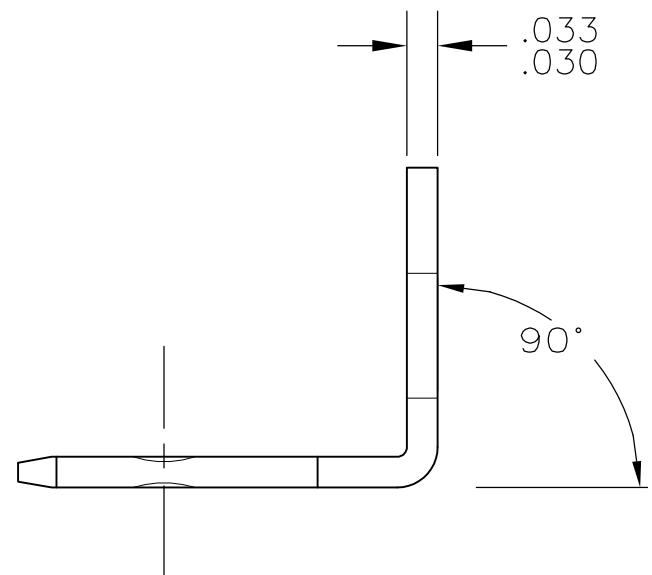
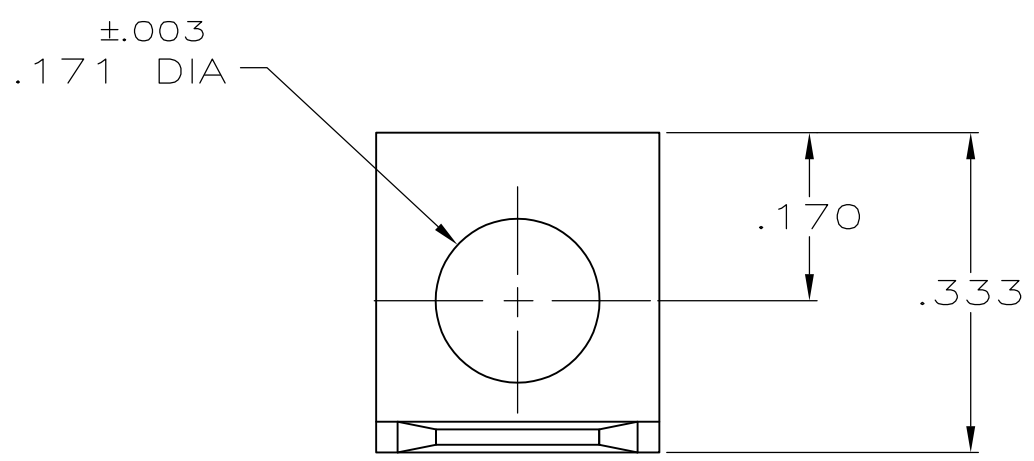


THIS DRAWING IS UNPUBLISHED. RELEASED FOR PUBLICATION
 © COPYRIGHT - By - ALL RIGHTS RESERVED.


LOC	DIST	REVISIONS					
AF	50	P	LTR	DESCRIPTION	DATE	DWN	APVD
		F1		REVISED PER ECO-11-005027	12MAR11	RK	HMR



1 SUPPLIED IN LOOSE PIECE.



TIN	42214-2
-	42214-1
FINISH	PART NO

THIS DRAWING IS A CONTROLLED DOCUMENT.		DWN	JR RUTH	3/8/95	 TE Connectivity												
DIMENSIONS: INCHES		CHK	MS FEHER	3/8/95													
TOLERANCES UNLESS OTHERWISE SPECIFIED:		APVD	P DESANTIS	3/8/95													
<table border="1"> <tr> <td>0 PLC</td> <td>± -</td> </tr> <tr> <td>1 PLC</td> <td>± -</td> </tr> <tr> <td>2 PLC</td> <td>± -</td> </tr> <tr> <td>3 PLC</td> <td>± .015</td> </tr> <tr> <td>4 PLC</td> <td>± -</td> </tr> <tr> <td>ANGLES</td> <td>± -</td> </tr> </table>		0 PLC	± -	1 PLC				± -	2 PLC	± -	3 PLC	± .015	4 PLC	± -	ANGLES	± -	NAME
0 PLC	± -																
1 PLC	± -																
2 PLC	± -																
3 PLC	± .015																
4 PLC	± -																
ANGLES	± -																
MATERIAL	082 BRASS	FINISH	SEE TABLE	PRODUCT SPEC	---	APPLICATION SPEC	---	SIZE	A3	CAGE CODE	00779	DRAWING NO	C-42214	RESTRICTED TO	---		
CUSTOMER DRAWING				WEIGHT	-	SCALE		5:1	SHEET		1 OF 1	REV		F1			